



Thermaflex[®]

FlexFlow Elbow[™]

Creates Efficient 90° Elbow

The FlexFlow Elbow maximizes airflow by economically forming anybrand and any size of commercial or residential flexible duct into a highly efficient 90° elbow.

Simply strap the one size fits all FlexFlow Elbow over the outer jacket of the flexible duct. It's fast, easy and dramatically less expensive than galvanized elbow installations. Adjustable bands allow the FlexFlow Elbow to fit any size and any brand of flexible duct from 6" to 16".

- Improves Airflow Efficiency – SAVES ENERGY
- Installs Over the Flex Duct Jacket in 30 Seconds
- One Piece Design – One Size Fits All – 6" to 16" Duct
- No Additional Tools, Sealant or Insulation Required
- Create Efficient 90° Turn Without a Galvanized Elbow
- Underwriters Laboratories approved for use in Return Air Plenum Spaces
- Works With All Commercial and Residential Flex Duct
- Molded From Advanced Composite Material

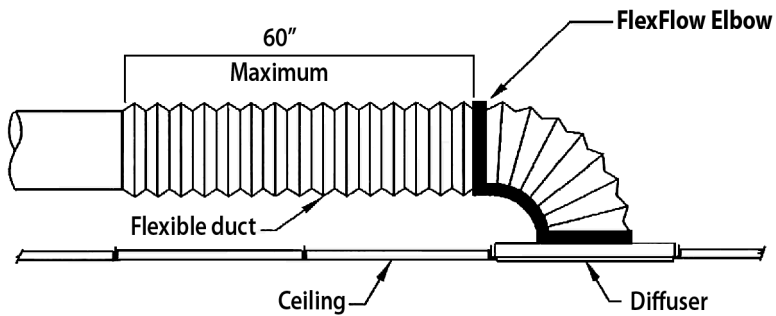
Increase productivity and profitability with innovative products by Thermaflex. Contact us today at 1-800-459-4822.



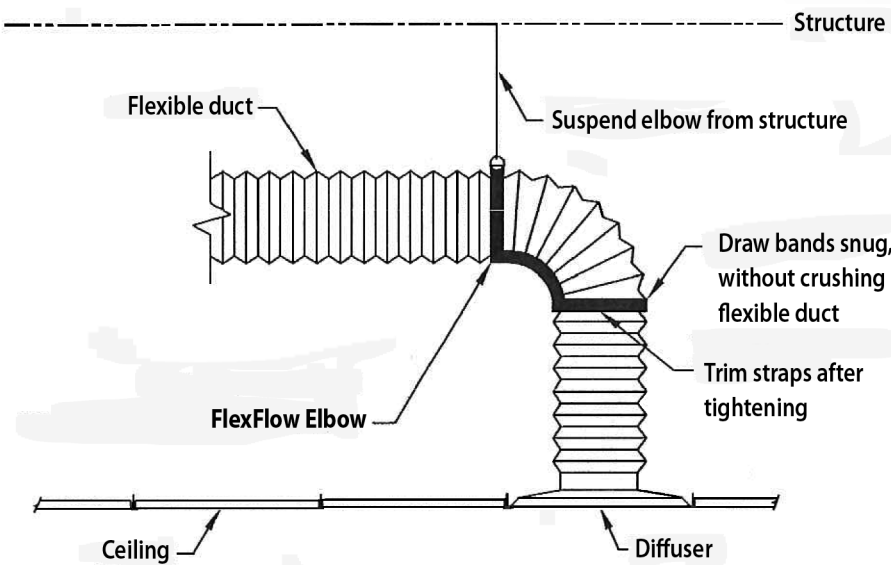
FlexFlow Elbow™

Flexible Duct Connection to Air Outlet/Inlet (not to scale)

Option 1



Option 2



Note: Install flexible ductwork supports at all round neck outlets/inlets unless otherwise noted on drawings.

Increase productivity and profitability with innovative products by Thermaflex. Contact us today at 1-800-459-4822.



National Sales Headquarters & Customer Service Department
381 Carwellyn Rd. • Abbeville, SC 29620 • thermaflex.net
US: 1-800-459-4822 • CANADA: 1-800-263-3539