



Thermaflex®

The #1 Flexible Duct in the World.

Snaplock Clamp

The Snaplock Clamp is an efficient way to secure flex or rigid round duct connections. The stainless steel band can withstand up to 60 PSI, as well as extreme temperature conditions. The band is secured in place at the bridge by a slotted hex head screw. This zinc plated carbon steel screw can be flipped up away from the band to offer a quick release when adjustments are needed. Snaplock Clamps are available in stock sizes ranging from a 6" diameter to 12". Two or more clamps can also be connected together to accommodate duct diameters over 12".

FEATURES:

- **Manufactured from 200 series stainless steel.**
- **Secures with a 5/16" slotted hex head zinc plated carbon steel screw.**
- **Each tie is a width of 1/2".**
- **Snaplock Clamps can handle up to 60 PSI.**
- **Quick Release Feature for easy adjustments.**
- **Excellent weather resistance.**



**Increase productivity and profitability
with innovative products by Thermaflex®.**

Contact us today at 1-800-459-4822.

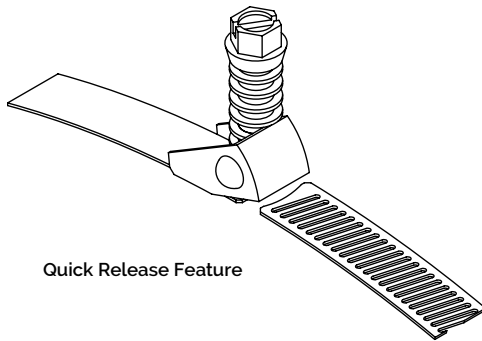
Snaplock Clamp

SUBMITTAL SHEET

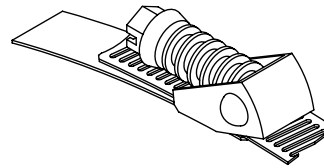


ORDERING INFORMATION

Part #	Description	Minimum Diameter	Maximum Diameter	Overall Length	Quantity
0507-0600-0001	6" Stainless Steel Snaplock Clamp	1.75"	7"	23.5"	100/box
0507-0800-0001	8" Stainless Steel Snaplock Clamp	1.75"	8.5"	28.25"	100/box
0507-1200-0001	12" Stainless Steel Snaplock Clamp	1.75"	12.25"	40"	100/box



Quick Release Feature



Secured at bridge

JOB _____

LOCATION _____

ENGINEER _____

CONTRACTOR _____

Certified Correct

BY _____

TITLE _____

DATE _____

P.O. NO. _____

JOB NO. _____

REPRESENTATIVE _____

Approved for Construction

BY _____

TITLE _____

DATE _____



1-800-459-4822 • www.thermaflex.net

Corporate Headquarters: 381 Carwellyn Road • Abbeville, SC 29620 • Phoenix, AZ • Cairo, GA • Mississauga, ON Canada

© 2019 Flex-Tek Group, Bulletin Snaplock Clamp 8/19 Printed in USA